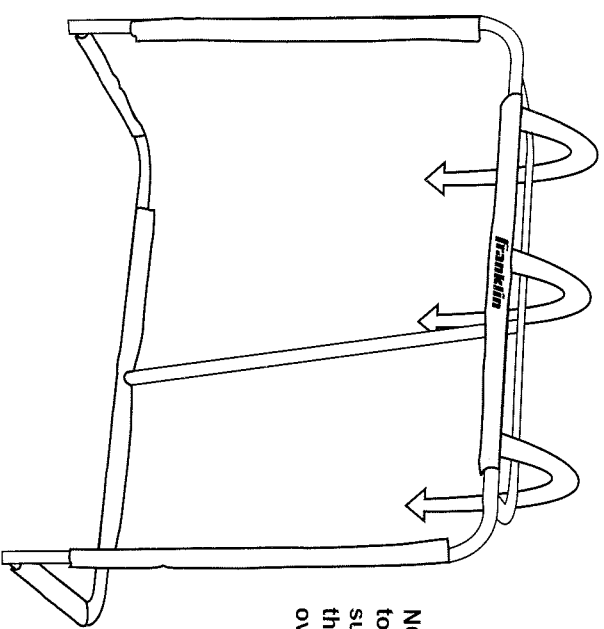


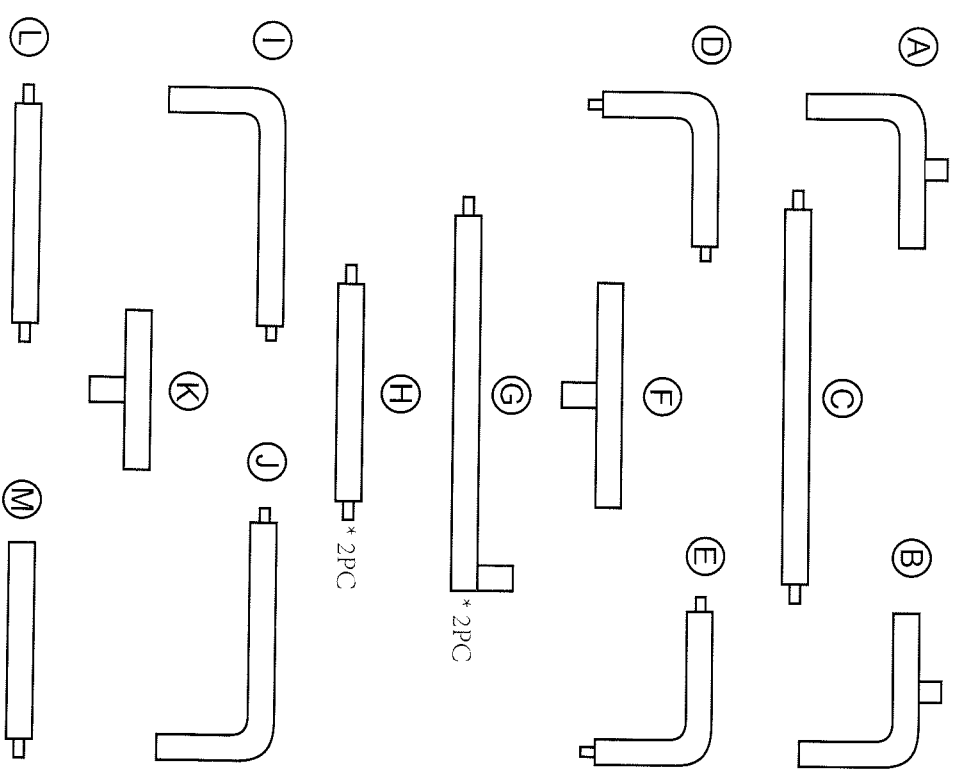
NOTE: When assembling top shelf and back support brace, be sure that the sleeve-net drapes over the steel posts.



COMPETITION SLEEVE-NET GOAL

ITEM #: 12375F1

ASSEMBLY INSTRUCTIONS



For replacements parts call
 1-781-341-5178 or 1-800-225-8649
 OR visit www.franklinsports.com

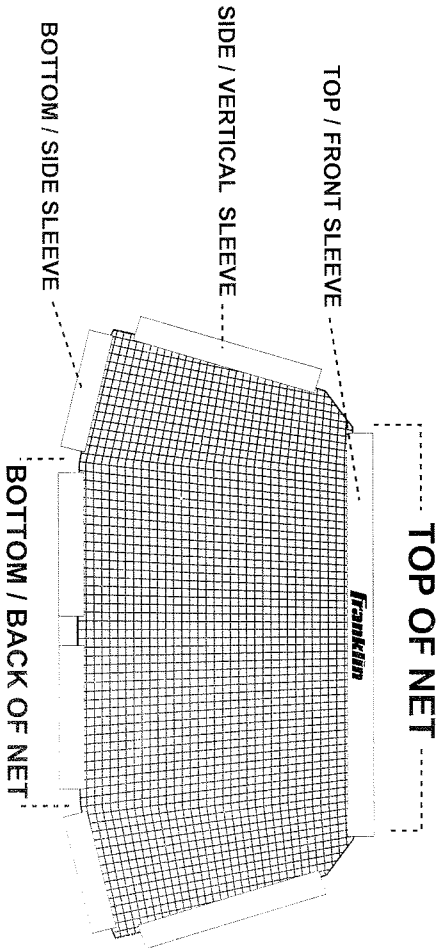
Franklin © NHL
 Made in China
 Franklin Sports Inc.
 Stoughton, MA 02072

STEP 1: PREPARATION FOR ASSEMBLY

- A. Lay out all parts within easy reach.
- B. Read instructions completely before beginning assembly.
- C. Assemble goal on a smooth, flat surface.
- D. Adult supervision for assembly and use of goal is recommended.

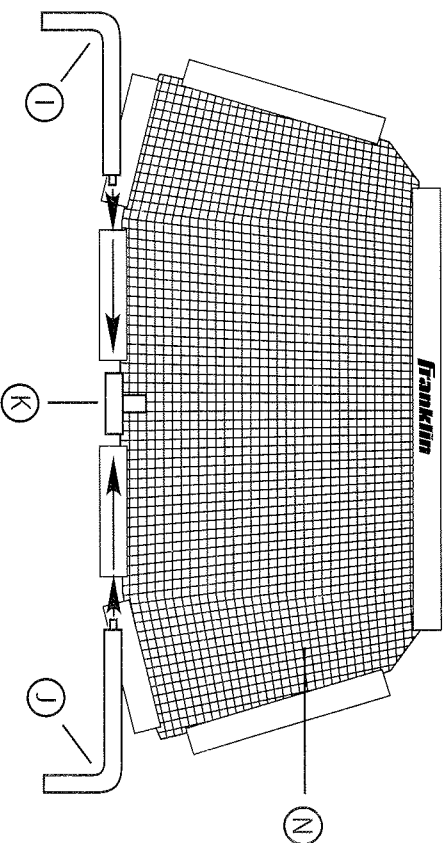
STEP 2: FAMILIARIZE YOURSELF WITH THE SLEEVE-NET

- A. Lay out the net and find the red nylon sleeve section with the Franklin logo. This is the top / front of the net.
- B. The goal tubing will be slid into each sleeve of the net.

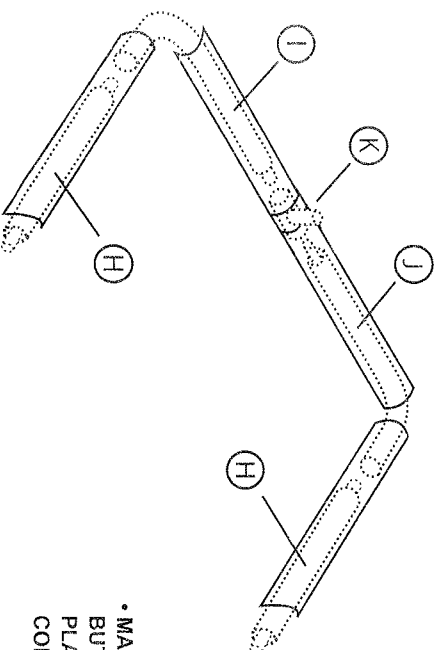


STEP 3: ASSEMBLING THE GOAL

- A. Start at the back / bottom of the net and insert the tubing through the nylon sleeve sections as shown below.
- B. When connecting tube pieces, be sure to align snap-lock buttons so that they pop securely into place.
- C. Continue connecting all tubing pieces as shown in the following diagrams.



ASSEMBLING THE GOAL



• MAKE SURE ALL SNAP-LOCK BUTTONS ARE SECURELY IN PLACE FOR ALL TUBE CONNECTIONS

